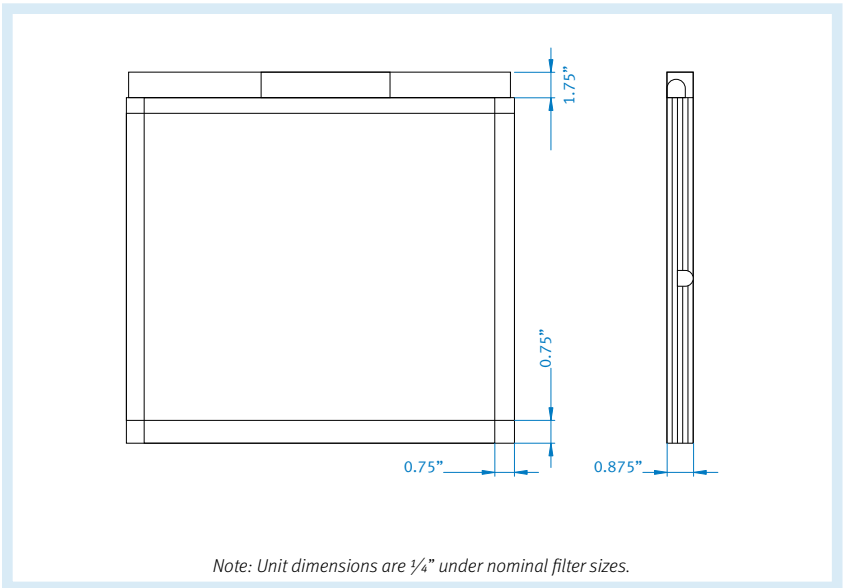


AIRRANGER™ POLARIZED MEDIA AIR CLEANER

The AirRanger™ Polarized Media High Efficiency Air Cleaner installs directly into 1” filter tracks in the existing heating and cooling system. Its electronically enhanced media combines elements of both electronic and media air cleaners. Particles are electrically charged (polarized) and then collected in the high efficiency media. Polarized sub-micron particles join with other particles and are collected on subsequent passes.



Note: Actual unit may vary depending on size



Note: Unit dimensions are 1/4" under nominal filter sizes.

Fast Installation

- No costly ductwork modifications required
- Wires directly to 24 volt R and C terminals on most IFC boards or plugs directly into 110 volt wall outlet

Efficient

- 97% efficient at .3 microns
- Efficiency increases as the media fibers load

Reduces Odors

- Patented activated-carbon center screen is effective in removing smoke, odors, pollen, dust, and other contaminants

Economical Operation

- Low static pressure drop lets blower run efficiently
- Low power consumption

Easy Maintenance

- No washing of components required
- Disposable fiber media pads require only a few minutes to change
- Media pads are generally changed every 3 to 4 months, depending on household conditions such as the presence of pets and/or smokers

Safe, Quiet, Dependable Operation

- Runs on 24 volts that feeds a high voltage power supply producing 7,000-9,500 volts of DC output current. Its extremely high internal impedance makes it very safe and virtually short-circuit proof
- Does not produce ozone or arcing like other electronic air cleaners
- Does not produce charged (ionized) particles that collect on clothes, walls and furnishings

Warranty

- Limited Lifetime Warranty when using only GENUINE replacement media and when serviced as part of a regularly scheduled service maintenance program

PERFORMANCE DATA

Electrical Input	24 VAC
Powerhead Output Voltage	7 kV (DC)
Power Consumption	1.4 Watts
Powerhead Volt/Amps Draw	1.45 VA
Maximum Face Velocity	500 fpm
Ozone Generation	None



Standard Sizes

Polarized Media High Efficiency Air Cleaners are available in the following standard sizes. Custom sizes are also available.

- 12 x 12
- 12 x 20
- 12 x 24
- 14 x 14
- 14 x 20
- 14 x 24
- 14 x 25
- 14 x 30
- 15 x 20
- 16 x 20
- 16 x 24
- 16 x 25
- 16 x 30
- 18 x 18
- 18 x 20
- 18 x 24
- 18 x 30
- 20 x 20
- 20 x 22
- 20 x 24
- 20 x 25
- 20 x 30
- 25 x 25
- 16½ x 21⅝
- 20 x 21⅝
- 21½ x 23¼

Operation

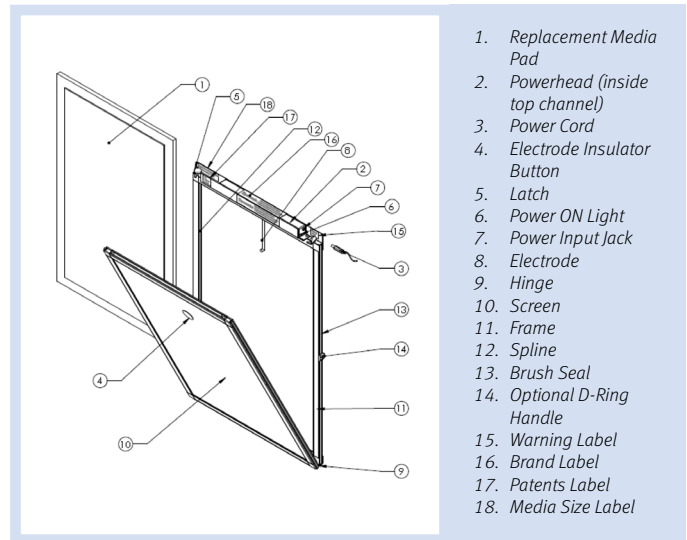
Each unit is shipped with a power supply cord that plugs into the air cleaner and wires directly to the “R” and “C” terminals located on most gas furnace integrated control boards. Refer to the Polarized Media High Efficiency Air Cleaner Installation Instructions & Consumer Information for details.

An optional 110 volt step-down transformer allows the appliance to be plugged directly into any standard wall outlet.

Maintenance and Filter Pad Replacement

The only scheduled maintenance for the Polarized Media High Efficiency Air Cleaners is periodic replacement of the Replacement Media Pads. This is typically done every 3 to 4 months.

WARNING: FAILURE TO REPLACE THE MEDIA PAD WITH GENUINE MEDIA REPLACEMENT ON A REGULAR BASIS COULD REDUCE AIRFLOW AND CAUSE DAMAGE TO THE HEATING AND COOLING SYSTEM AND VOID THE WARRANTY OF THE AIR CLEANER.



1. Replacement Media Pad
2. Powerhead (inside top channel)
3. Power Cord
4. Electrode Insulator Button
5. Latch
6. Power ON Light
7. Power Input Jack
8. Electrode
9. Hinge
10. Screen
11. Frame
12. Spline
13. Brush Seal
14. Optional D-Ring Handle
15. Warning Label
16. Brand Label
17. Patents Label
18. Media Size Label

EFFICIENCY COMPARISON

Particle Size	Contaminate(s)	Our Air Cleaner	Other 4-6" Pleated Filters
		Capture Efficiency	
3-10 microns	pollen, mold, dust mites, hairspray	99%	98%
1-3 microns	auto emissions, lead dust, large bacteria	98%	Not Effective
.3-1 micron	smoke (tobacco, cooking), small bacteria, fine dust, paint pigments	97%	Not Effective
<.3 micron	VOCs (odor, off gases including formaldehyde from carpets, furniture and cleaning products	40%	Not Effective

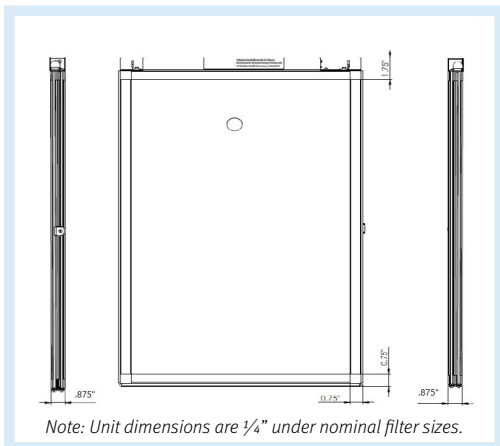


Protect Your Indoor Air Space

PristineAirCleaner.com

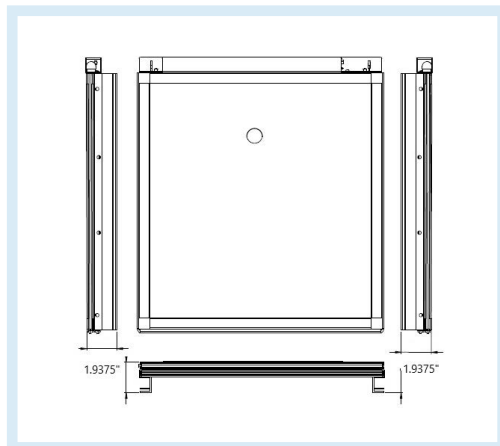
Dimension Data:

Standard Sizes



Our Whole-House High Efficiency Air Cleaners are also available in several models as a retrofit to slide into existing media or electronic air cleaner cabinets.

Retrofit Models



Pressure Drop Data:

Our Whole-House High Efficiency Air Cleaners feature a media pad with a patented center screen material featuring C3 Technology™. The center screen utilizes a Conductive plastic Carbon Composite mesh material that translates to a low pressure drop without compromising air cleaner efficiency or performance.

